

Stock Code: **20825LEDD-ABB/OPL**

Collection: Roma

**PRODUCT INFORMATION**

Base: 20825 Parent: 20825LEDD  
Mounting Type: Ceiling UPC: 641594242188  
Finish: Antique Brushed Brass  
Diffuser: Opal

**PRODUCT MEASUREMENTS**

<b>FIXTURE</b>	<b>BACKPLATE / CANOPY</b>
Length:	Length
Width:	Width:
Diameter 11"	Diameter:
Height: 3"	Height:
Extension:	
Overall Height:	

**TECHNICAL SPECIFICATIONS**

**SPECIFICATIONS**

Frame Material: Metal  
Diffuser Material: Glass  
Lamping Type: SSL (Dedicated LED) Jbox: Standard  
Lamping Base: SSL Lamp Wattage: 30 W  
Lamp Quantity: 1 Total Wattage: 30 W  
Voltage: 120v Lamps Included: No

**QUALIFICATIONS**

Location Rating Damp  
Certification: ETL (US/Canada) Listed  
ADA Compliant: No Energy Star: No  
JA8 Compliant: Yes Emergency Lighting: No  
Marine Grade: No Warranty: 5 Year

**PHOTOMETRICS**

Dimmable: Yes Nominal Lumens 2000 Lm  
CRI: 90 Delivered Lumens: 1660 Lm  
CCT: 3000K  
Recommended Dimmers:  
(ELV)LUTRON Skylark Contour CTCL-153P; (ELV)LUTRON Caseta PD - 6WCL; (ELV)LUTRON Maestro CL MACL-153M; (ELV)LUTRON Maestro CL (Package) MACL-153M-RHW; (ELV)LUTRON Maestro MRF2-6CL; (TRIAC)LUTRON Ariadni/Toggler TGCL-153P; (TRIAC)LUTRON Diva DVCL-153P

**Additional Notes:**

Custom Finish 5 Piece Minimum Order Quantity; Optional Color Temperature 100 Piece Minimum Order Quantity

Project Name: \_\_\_\_\_

Location: \_\_\_\_\_

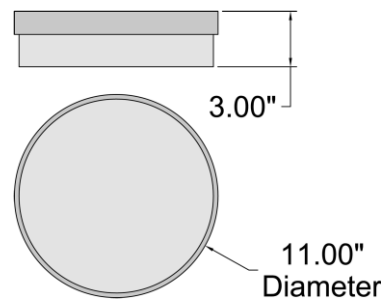
Type: \_\_\_\_\_

Quantity: \_\_\_\_\_

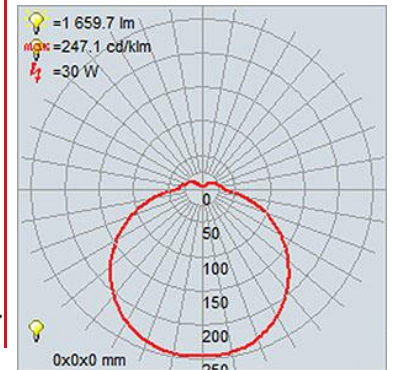
Notes: \_\_\_\_\_



**LINE DRAWING**



**IES FILE**



In addition to Access Lighting's purchase and warranty terms and conditions, by signing below or placing an order, you agree that you are authorized to bind the entity placing any order and acknowledge the following: All of sizes and measurements are approximate and all images are for illustrative purposes only. In the event of an inconsistency, the "Product Measurements" section controls. There also may be slight differences in the colors and designs compared to the displayed and printed images.

Signature: \_\_\_\_\_

Print Name \_\_\_\_\_ Date: \_\_\_\_\_

**Toll Free 800-828-5483 www.AccessLighting.com**

14410 Myford Road, Irvine, CA 92606

